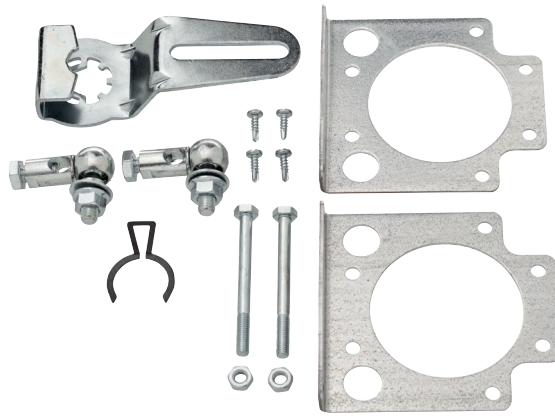


Mounting kit for linkage operation LF..

- for side installation
- 2 fastening brackets
- 2 angled ball joint KG8
- 1 crank arm
- 1 circlip
- 6 screws and 2 nuts

**Technical data**

Weight	Weight	0.47 kg
	Packaging size	Single-pack

Product features

Used materials Galvanised steel

Product features

Application Suitable for LF..

